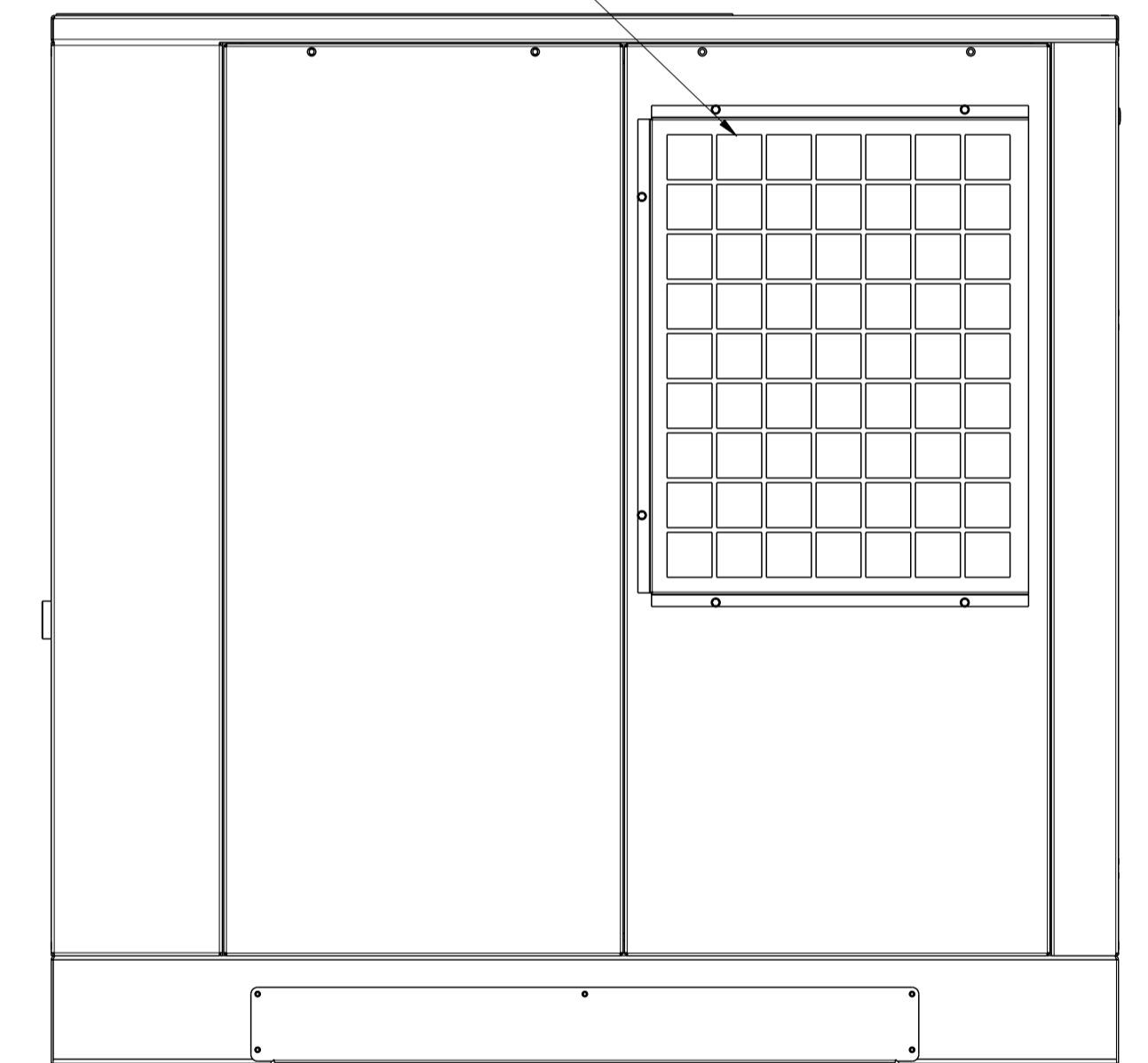
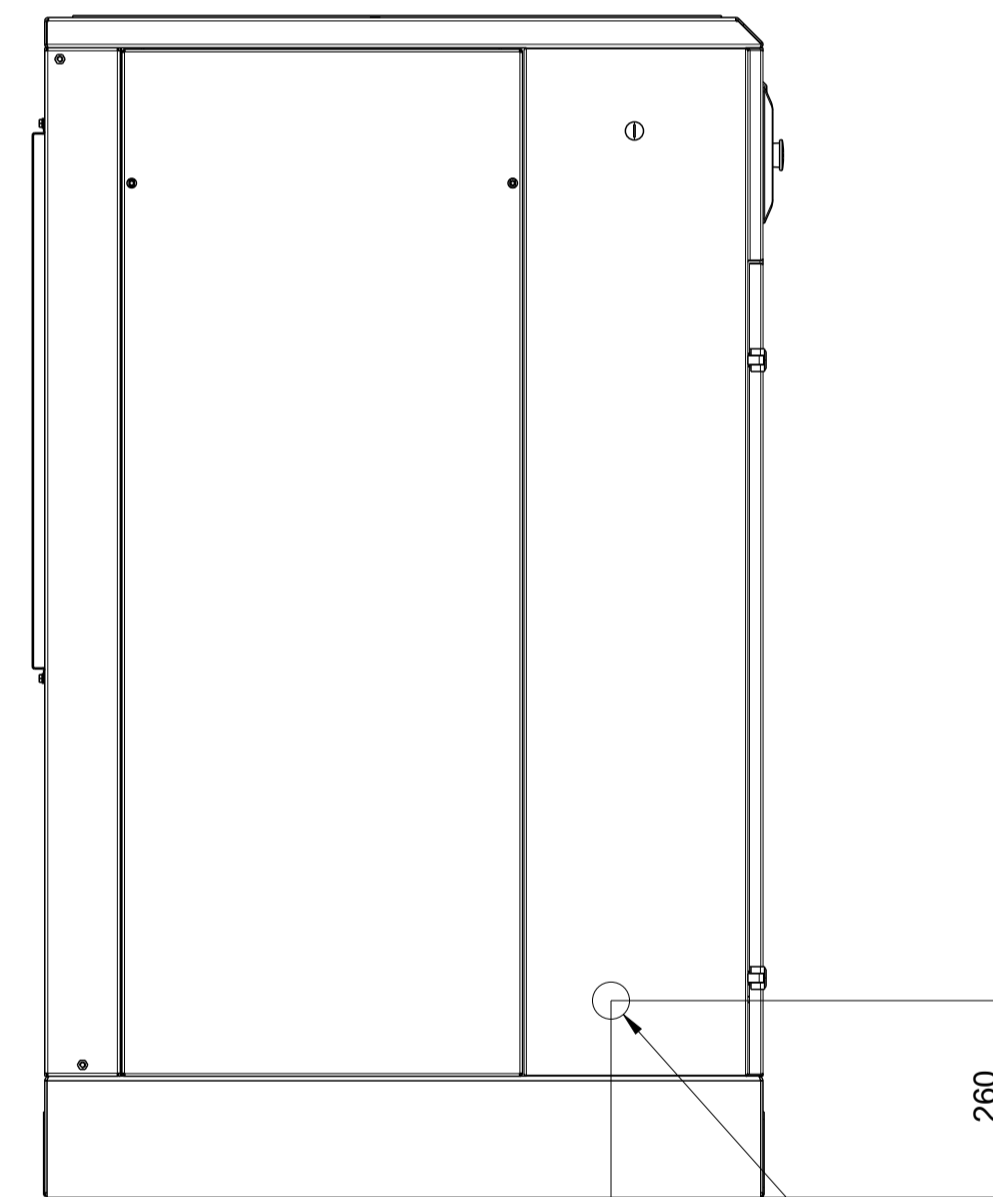
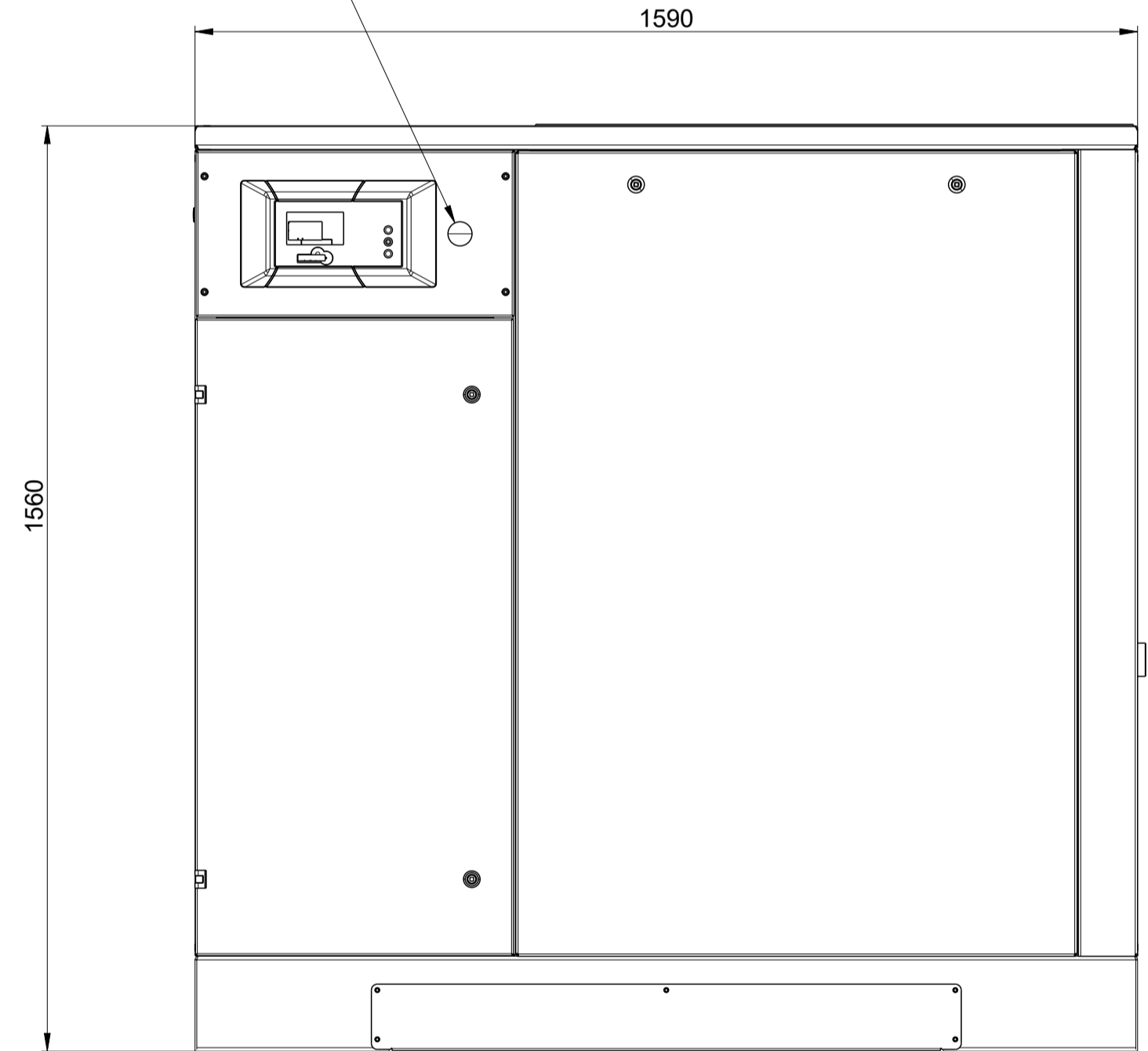
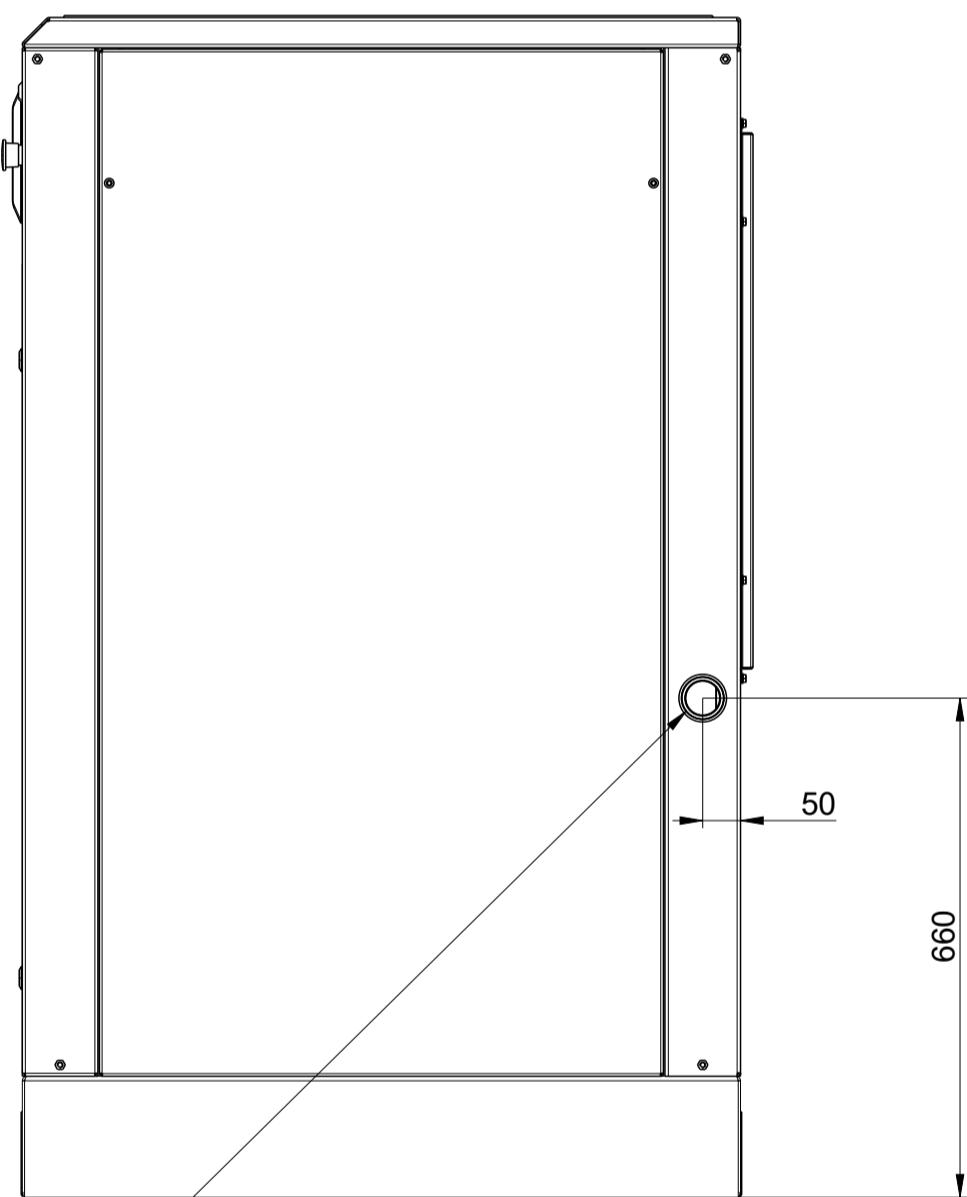


INTERRUTTORE ARRESTO
DI EMERGENZA
EMERGENCY STOP SWITCH

INGRESSO ARIA DI
RAFFREDDAMENTO
COOLING AIR INLET
511 x 659

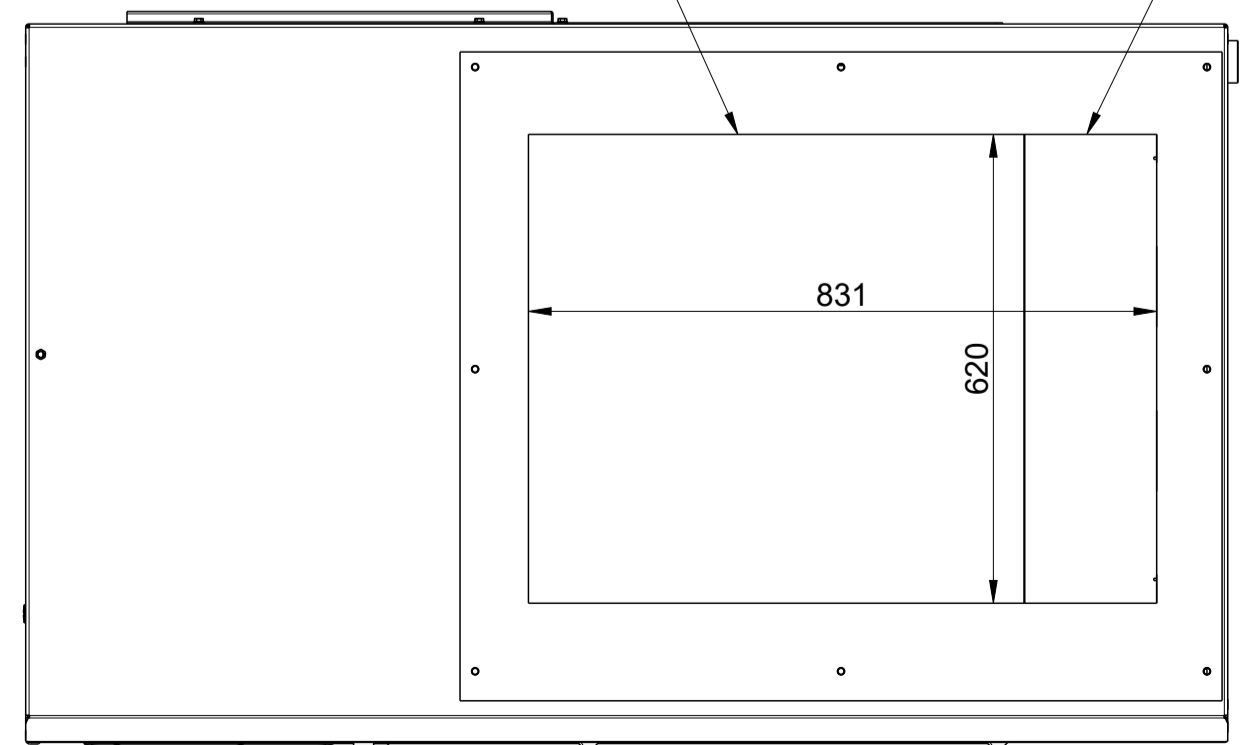


USCITA ARIA COMPRESSA G 1"1/2
COMPRESSED AIR OUTLET G 1"1/2

RADIATORE OLIO
USCITA ARIA DI RAFFREDDAMENTO
OIL COOLER
COOLING AIR OUTLET
655x620

RADIATORE ARIA
USCITA ARIA DI RAFFREDDAMENTO
AIR COOLER
COOLING AIR OUTLET
176x620

INGRESSO CAVI ALIMENTAZIONE - M48
POWER SUPPLY CABLES ENTRY - M48



RUGOSITÀ Ra um		NOT INDIC. CHAMFER	
HEAT/SUPERFICIAL TREATMENT		HARDNESS	
MATERIAL			
N°	MODIFY DESCRIPTION	DATE	SIGN.
DRAWN	REPLACE	COMPETENCE OF	DIMENSION WITHOUT TOLERANCE INDICATION
DATE: 2022-03-22		R&D	ISO 22768-1-m
SIGN: SCORZONI			ALL DIMENSIONS ARE IN MILLIMETERS
DRAWING DESCRIPTION		SCALE: 1:10	
DIM_INGOMBRO_037.0_ST_COAX_20 LGN			
 The great family of air compressors		DRW.N° DIM1014	A1 PAGE
This drawing is property of FNA S.p.A. Hand over or reproduction, partial as well, is forbidden at any level. Each abuse will be legally prosecuted.			